



Rotor Features

Fully autoclavable

High strength aluminum alloy rotors are fully autoclavable, withstanding steam sterilizing at 121°C for 20 minutes, with unlimited service life.

Bio-safety

Aspired to be the top-of-the-line model, D3024 & D3024R rotors are designed to prevent sample leakage. Each and every rotor is hermetically sealed by three rubber seals.

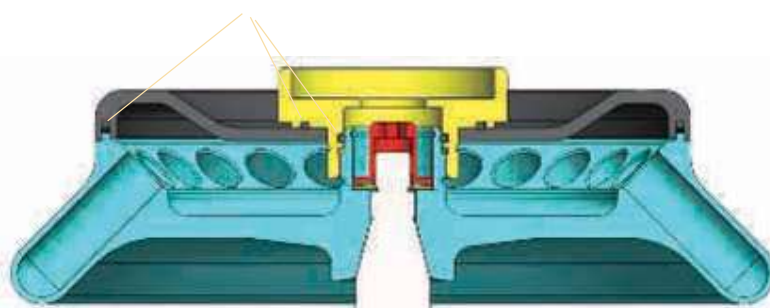
Mechanical safety

DLAB centrifuges are constructed under MCA conditions according to IEC/EN61010-2-20, causing disruption by partially cutting and overloading rotor assembly, and guarantee that no part shall be detached to cause danger to person or the environment.

DLAB rotors are manufactured from military-industrial grade aluminum alloy with high mechanical strength for precise running and safety (excludes D2012 plus rotor)

- Every rotor can reach a max. speed of 15000rpm
- Rotors are seated on a tapered shaft, concentric and self-aligning, perfect to achieve running stability at high speeds
- D3024 & D3024R with bio-safety rotors/ anti- sample overflow prevents accidental leakage and risk free centrifugal process
- microbial contamination. D3024 & D3024R rotors have passed MCA test according to IEC/EN61010-2-20, including mechanical safety and bio-safety tests
- High strength aluminum alloy rotors are fully autoclavable and provide unlimited service life (D2012 plus rotor not included)
- Powerful cooling system minimizes rotor heating. D3024 rotors heat up to > 10°C and D2012 rotors less than 8°C after running an hour

Three rubber seals fitted to achieve bio-safe condition



Seals within the aluminum alloy rotor



Available rotors



Cat. No. 19400006

AS24-2

for D3024 & D3024R & D1524R

Max. speed: 15000rpm
 Max. RCF: 21380xg
 Rotor capacity: 2mL/1.5mLx24/0.2mLx24/0.5mLx24
 Rotor material: Aluminum alloy
 Bio-safe(Bio sealing): Yes
 Available rotor adapters: A02P2,A05P2



Cat. No. 19400032

AS12-V5

for D3024 & D3024R & D1524R

Max. speed: 15000rpm
 Max. RCF: 21380xg
 Rotor capacity: 5mLx12(Cone bottom)
 Rotor material: Aluminum alloy
 Bio-safe(Bio sealing): Yes



Cat. No. 19400007

AS36-05

for D3024 & D3024R & D1524R

Max. speed: 15000rpm
 Max. RCF: 21380xg
 Rotor capacity: 0.5mLx36,0.2mLx36
 Rotor material: Aluminum alloy
 Bio-safe(Bio sealing): Yes
 Available rotor adapters: A02P05



Cat. No. 19400008

AS4-PCR8

for D3024 & D3024R & D1524R

Max. speed: 15000rpm
 Max. RCF: 21380xg
 Rotor capacity:0.2mL/PCR8x4
 Rotor material: Aluminum alloy
 Bio-safe(Bio sealing): Yes



Cat. No. 19400012

AS18-5
for D3024 & D3024R & D1524R

Max. speed :15000rpm
 Max. RCF:21380×g
 Rotor capacity:5mL×18 (Round bottom)
 Rotor material:Aluminum alloy
 Bio-safe(Bio sealing):Yes

Available adapters



Cat. No. 19500001

A02P2

0.2mL rotor adapter
 Used with A12-2, A12-2P, AS24-2 and A24-2P rotors
 24pcs/pk



Cat. No. 19500002

A05P2

0.5mL rotor adapter
 Used with A12-2, A12-2P, AS24-2 and A24-2P rotors
 24pcs/pk



Cat. No. 19500003

A02P05

0.2mL rotor adapter
 Used with AS36-05 rotor
 36pcs/pk

Model	Rotor model	Capacity	Hole diameter(mm)	Hole depth (mm)	Max. tube length (mm)
D2012plus	A12-2P	2×12	11.2	39	47
	AS24-2	2×24	11.2	40.5	54.2
D3024 D1524R D3024R	AS36-05	0.5×36	8.2	29.3	36
	AS4-PCR8	0.2×32	6.5	20.4	36
	AS18-5	5×18	13.7	39	56.5
	AS12-V5	5×12	17.5	44	56.5